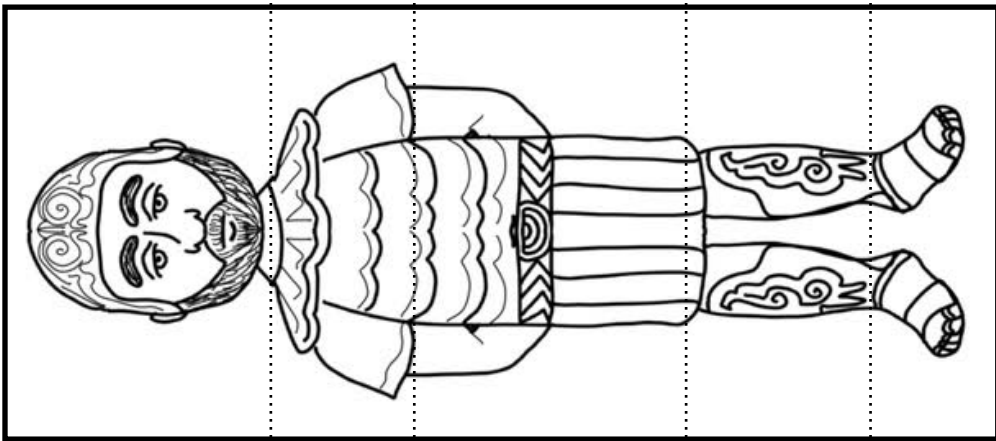


Cut out both circles of the decoder, lay the smaller circle on the larger circle and fasten with a brad. Cut out the little window so you can see the letter. **Use the decoder for lesson 16, 17 and 18.** (It can be printed in black and white or colour). Best if printed on card stock. Decoder from: [upliftingmayhem.com](http://upliftingmayhem.com)

There is a God in heaven  
that reveals secrets

Cut out the decoder holder without cutting it in half. Fold in half and put a small line of glue around the outside edge of the semicircle to create a pocket. Glue into lap book and store the decoder inside.

<b>Head</b>	<b>Chest and Arms</b>	<b>Belly and Thighs</b>	<b>Legs</b>	<b>Feet</b>
-------------	-----------------------	---------------------------------	-------------	-------------



Cut out the both rectangles. Fold the large one with words in half inward and glue the image to the outside of the side with the words. Cut along the dotted lines to separate the image. Fill in what the metal is on the line. Cut out the stone (without hands :) and glue a small piece of string to the back. Glue the other end of the string to the back of the project and then glue it all into the lap book. Artwork by Sis. Karen Pillion



Y P G U

Z B Y

Y P D I

P W Z R

G E

J G N R

Daniel explains  
Nebuchadnezzar's  
Dream

Cut out the rectangles. Fold the ends of the larger one inward to meet in the middle. Glue the smaller rectangle onto the blank flaps of the larger rectangle. Cut up through the middle to create an opening. Glue into lap book.