

Paul and Silas go to Philippi

PICTURE WHEEL

MATERIALS REQUIRED.

2 PIECES OF CARD THE SAME SIZE AS THE CIRCLE BELOW ● SCISSORS ● PAPER FASTENER.

HOW TO MAKE IT.

CUT OUT 2 CIRCLES THE SAME SIZE AS THE ONE BELOW. OUT OF ONE CUT OUT A

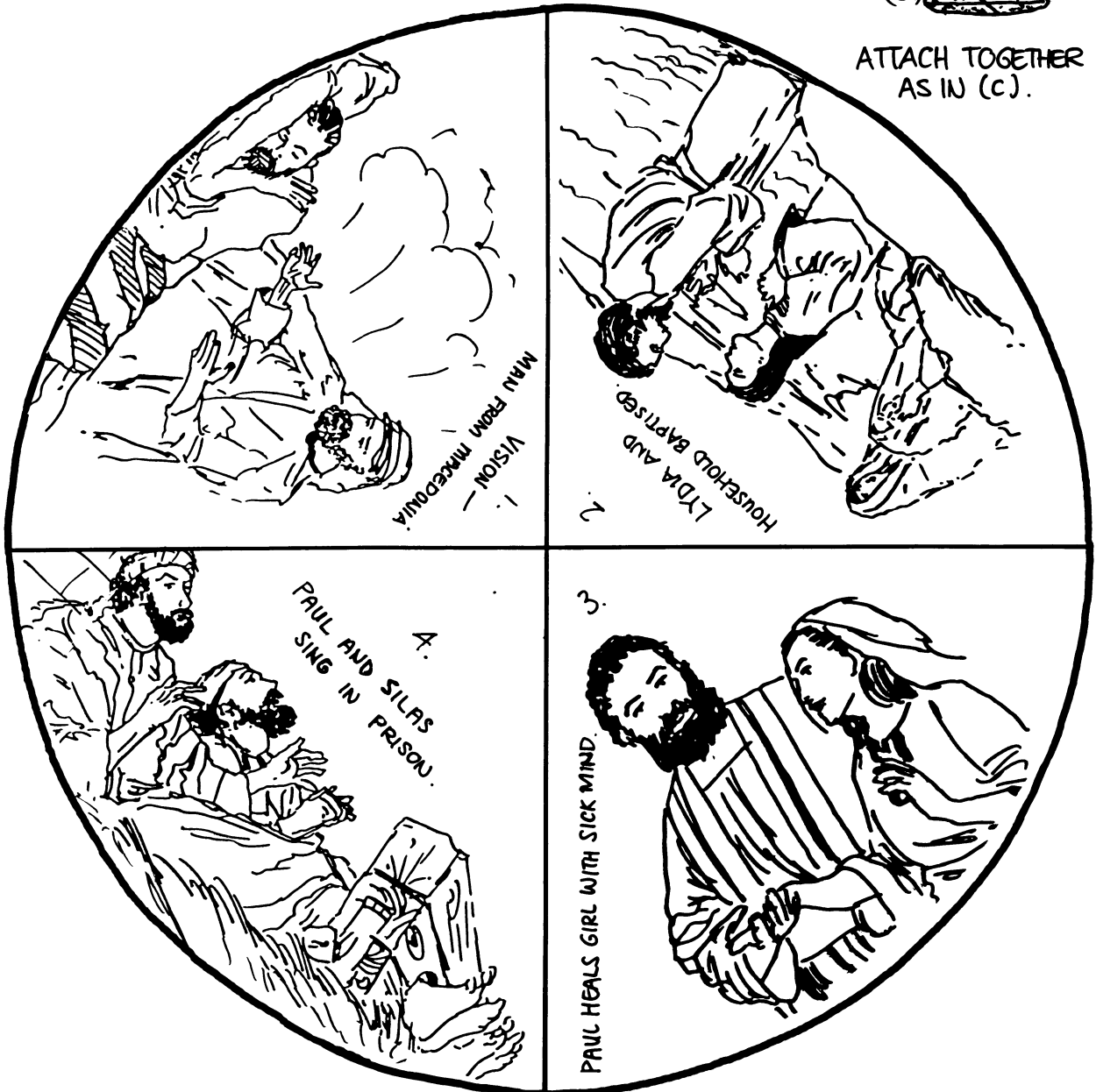
1/4 AS SHOWN IN (A).

COPY THE PICTURES

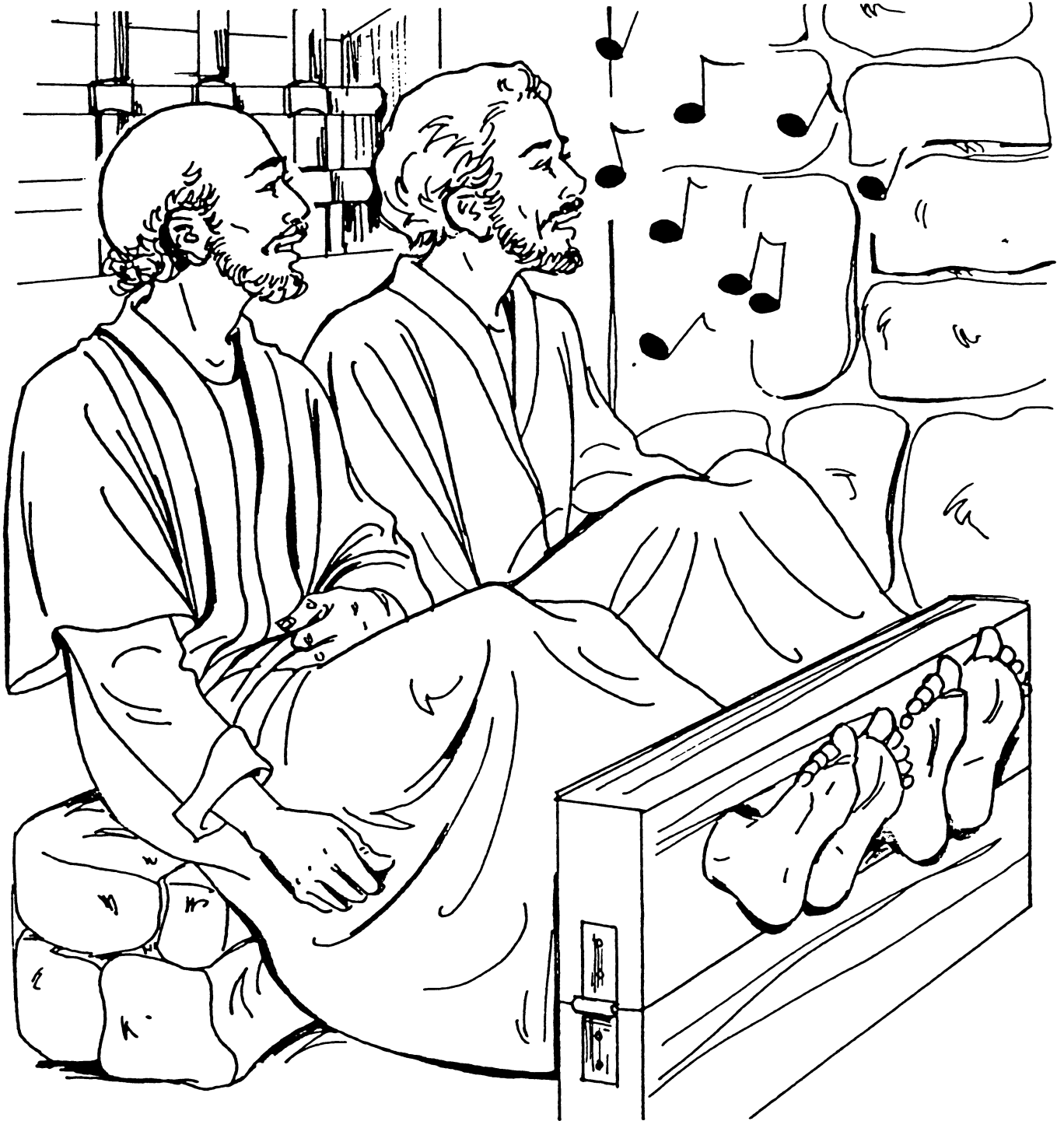
BELOW ON OTHER CIRCLE AS IN (B).



ATTACH TOGETHER AS IN (C).



A PICTURE TO COLOUR.



Paul and Silas in prison at Philippi

SPOON PEOPLE.

MAKE A PAUL & SILAS FROM WOODEN OR PLASTIC SPOONS.

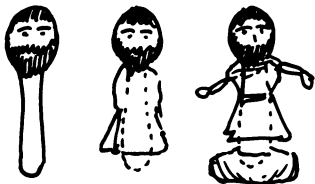
MATERIALS REQUIRED.

WOODEN OR PLASTIC SPOONS
 ● TISSUES ● SCISSORS ● BLUETAC OR PLASTICINE.

HOW TO MAKE IT.

DRAW FACE AND HAIR ON ROUNDED SIDE OF BOWL OF SPOON. IF USING PLASTIC SPOON USE 'PERMANENT INK' PEN - THIS WON'T RUB OFF.

WRAP A PIECE OF TISSUE AROUND THE HANDLE AND TIE AT THE 'WAIST'. INSERT HANDLE OF SPOON INTO A LUMP OF PLASTICINE OR BLUE-TAC TO MAKE IT STAND UP. PIPECLEANERS CAN BE USED FOR ARMS.



SEE LESSON 8 IDEA - HAPPY & SAD FACE. THIS CAN APPLY TO PAUL HEALING THE GIRL WITH THE SICK MIND.

STOCKS DEMONSTRATION MODEL.

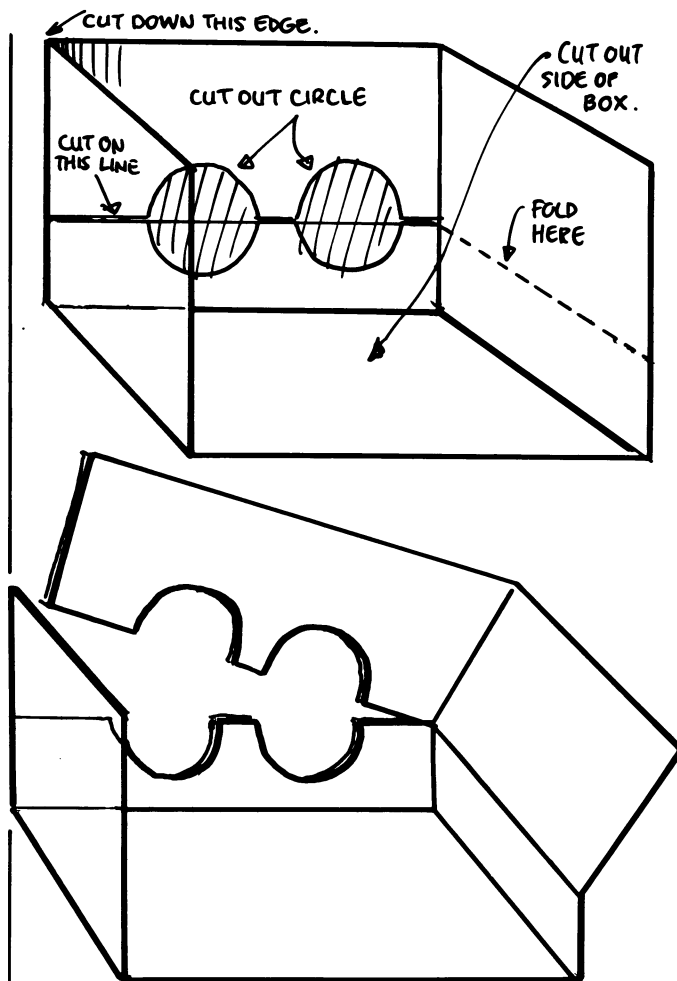
AN EXCELLENT DEMONSTRATION FOR THE WHOLE CLASS AND SUNDAY SCHOOL AS A WHOLE (AND PERHAPS FOR NAUGHTY SCHOLARS!)

MATERIALS REQUIRED.

MEDIUM SIZE CARDBOARD BOX
 ● POSTER PAINT OR WOODGRAIN CONTACT ● SCISSORS OR CRAFT KNIFE
 ● RULER ● PEN OR PENCIL.

HOW TO MAKE IT.

FOLLOW DIAGRAM ON OPPOSITE SIDE OF THE PAGE. CUT THE WHOLE OF ONE SIDE OF THE BOX OUT COMPLETELY. ON THE OPPOSITE SIDE CUT RIGHT ALONG THE SIDE THEN SCORE THE ADJACENT SIDE READY FOR A FOLD. CUT OUT TWO



"STOCKS SHOULD OPEN UP LIKE THIS!"

CIRCLES FOR FEET TO BE PLACED IN.

TO LOCK UP UNRULY SCHOLARS GET THEM TO SIT HALF INSIDE THE BOX, OPEN UP 'STOCKS' AND CLOSE WHEN FEET ARE IN POSITION. THE SIDE CAN BE TAPED (TEMPORARILY) WHILST EVERYBODY ELSE IS HAVING A LOOK.

OTHER IDEAS....

SEE IDEAS ON 'PRISONS' FOUND IN OTHER LESSONS IN THIS BOOK.

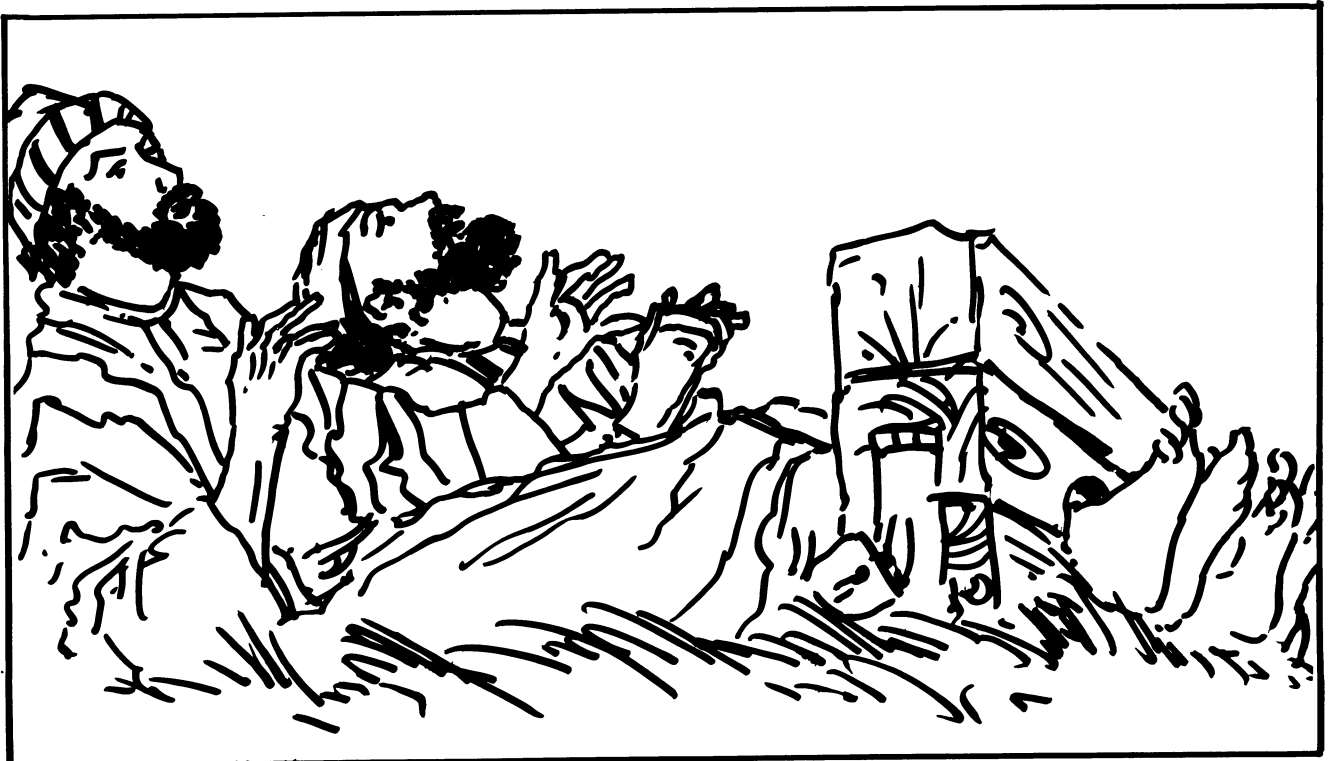
PEEP BOX MENTIONED IN EARLIER LESSONS.

BAPTISM IDEAS - SEE CORNELIUS AND THE ETHIOPIAN EUNUCH.

FLASH CARDS.

VERY HELPFUL FOR TEACHERS WHOSE SCHOLARS CANNOT READ AS YET.

TELL THE STORY THEN SHOW PUPILS THE CARDS ONE BY ONE - LET THEM RELATE WHAT IS HAPPENING IN THE PICTURE AS PREVIOUSLY TOLD BY YOU .



PAUL BAPTIZES LYDIA AND HER HOUSEHOLD



PAUL HEALS THE GIRL WITH THE SICK MIND.

